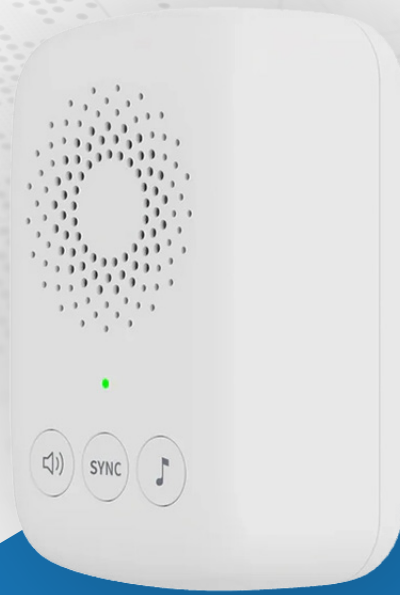


# Wireless Chime Kit for Doorbell Camera

SKU: IPDB-C-NCV

- Simple Installation, Plug & Play
- Built-in Speaker
- 3 ringtones
- 5-Level Volume Adjustment
- Compatible with IPDB-NCV

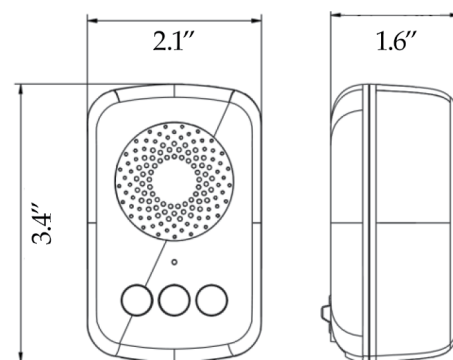


## Product Specifications

GENERAL	
Power Source	As per definitions by different countries/regions
Installation Method	Install the plug directly into the socket
Dimensions	2.11" x 3.37" x 1.56"
Weight	Net weight: 0.18lbs Gross weight: 0.28lbs
Power Consumption	3W
Button	From left to right: volume adjustment, reset status, change ringtone
Operating Temperature	-4 °F to 122 °F

CHIME	
Connection method	Sub-1 GHz
Speaker	Built-in speaker

## Dimensions



## Additional Products



**IPDB-C-NCV**  
Wireless Human/Package  
Dual Lens Video Doorbell



**NVR8S-1-NCV**  
4K 8MP 8 Channel  
NVR with Analytics