



32MP 8K 64 Channel 3U NVR w/ Analytics

SKU: NVR64-16E-NCV

- Decoding of 2x at 32MP/30FPS or 64x at 720P/30FPS
- Incoming/Outgoing Bandwidth 640Mbps
- Two Way Talk with 1/1 Audio In/Out
- 16/10 Alarm In/Out with 1x RS485
- Max 16x 16TB Hard Drive Capacity
- Ultra 265, H.265, H.264 Video Compression



Smart Intrusion Prevention

Utilizing machine learning and data intelligence, Smart Intrusion Prevention or SIP helps reduce false-alarm rates by allowing you to set up Cross Line Detection, Intrusion Detection, as well as Enter / Leave Area, all which can do any combination of human/vehicle/non-motor vehicle recognition. Smart Intrusion Prevention's detection rate of >95% helps you improve your perimeter protection, reduce false alarms while keeping you informed about the events that matter the most to you.

Face Detection

Analyze and compare face capture snapshots with face detection characteristics and internal face databases. When paired with a face capture IP NCV series camera, access real-time, processing and cataloging of detected faces. Receive instant notifications of triggered alarms by extracting facial features and attributes, comparing them against an existing database or watchlist. Face detection enables quick identification, individual tracking, and can alert when certain attributes meet the configured triggers. Face detection enhances security efficiency and accuracy with proactive monitoring and retrospective searches.

Ultra Motion Detection

Utilizing machine learning and data intelligence, Ultra Motion Detection or UMD helps you filter out objects based on motion detection, detecting motion of specified object types in the image, and trigger an alarm when such motion is detected. UMD supports two different object types: Person and Vehicle. UMD provides a detection rate of >90% up to 49ft and is more efficient than traditional motion detection, further reducing false-alarms. Ultra Motion Detection can be configured to your full screen or specific area(s) for detection.

Bandwidth

With a higher throughput of 640Mbps your IP network cameras can record at higher frame rates and resolutions without maxing out.

ANR Technology

Network Video Recorders with the ANR function automatically store video data on an IP camera SD card when the network is disconnected. After recovery of the network, the NVR automatically retrieves the video data stored on the camera.

Spec Sheet: NVR64-16E-NCV

32MP 8K 64 Channel 3U NVR w/ Analytics



People Counting

The NVR64-16E-NCV detects and tracks target by using advanced image processing technology and deep learning algorithm. You can draw 4 polygon areas, and count people in each area; When the number of the people in the area is greater than or equal to/lower than or equal to the defined threshold, the alarm will be triggered.

Crowd Density

With deep learning algorithm, the NVR64-16E-NCV can detect the crowd density on the image, and display it on heat map; it can detect people quantity and density in selected area and set threshold. When the number or density is larger or smaller than the threshold, it triggers linkage.

Auto-Tracking

This feature controls the pan/tilt/zoom actions of the camera to automatically track an object in motion and to keep it in the scene. The tracking action can be triggered manually or automatically by defined rules. Once a rule is triggered, the camera can zoom in and track the defined target automatically.

Cross Line

Cross line detection is a feature that allows you to set virtual lines within the camera's field of view to trigger when an object crosses. This feature is particularly useful for monitoring perimeters, entrances, and other critical areas. This enhances your security by providing real-time notifications of potential events assisting in unauthorized access with quick responses.

Defocus Detection

Defocus detection is crucial for maintaining high-quality video evidence by sending real-time alerts when a camera becomes defocused. Preventing blurred and unusable surveillance footage, defocus detection helps enhance the reliability and effectiveness your your security systems.

NDAA Compliance

The John S. McCain National Defense Authorization Act (NDAA) is a United States federal law which specifies the budget, expenditures and policies of the U.S. Department of Defense. For Fiscal Year 2019, the NDAA Section 889, prohibits the U.S. government from procuring video and telecommunication equipment from certain Chinese companies and their subsidiaries. Some non government projects may require NDAA compliance if federal funding is being used.

Heat Map

The NVR64-16E-NCV supports heat map reporting for number of people and average strand time. You can observe customer's regions of interest from two aspects: number of people and time.

Scene Change

Scene Change detection is an intelligent feature that monitors for specific alterations in the camera's field of view. This feature alerts the users when the camera's perspective suddenly changes. This helps alert and notify users of potential tampering or attempting to obstruct the camera view making it valuable for retail security, public spaces, and critical infrastructure protection.

Enter Area

Enter Area detection allows users to define specific areas and receive notifications when an object enters that defined area and meets specific criteria and sends notifications when rules are triggered.

Leave Area

Leave Area detection allows users to define specific areas and receive notifications when an object leaves that specified area and meets specific criteria and sends notifications when rules are triggered.

ULTRA 265 Compression

Utilizing H.265 advanced video encoding, provides high-quality video while reducing the storage space needed to retain your video events. Users can add their own memory card to take advantage of its edge recording capabilities.

Product Specifications

DECODING	
Decoding Format	Ultra 265, H.265, H.264
Decoding Capability	2 x 32MP@30, 4 x 16MP@30, 5 x 12MP@30, 8 x 4K@30, 12 x 5MP@30, 16 x 4MP@30, 20 x 3MP@30, 32 x 1080P@30, 54 x 960P@30, 64 x 720P@30
Decoding Capability Description	The resolution of each channel cannot exceed 8640 pixels in length or width, For VGA/HDMI independent output, the VGA live video is output by default. To output the highest resolution video from the HDMI port, please clear the VGA video on the preview page.
Audio Compression	G.711A, G.711U

Spec Sheet: NVR64-16E-NCV

32MP 8K 64 Channel 3U NVR w/ Analytics



Product Specifications Cont.

NETWORK	
Incoming Bandwidth	640 Mbps
Outgoing Bandwidth	640 Mbps
Remote Users	128
Protocols	TCP/IP, P2P, UPnP, NTP, DHCP, PPPoE, HTTP, HTTPS, DNS, DDNS, SNMP, SMTP, NFS, RTSP, 802.1x, IPv6, IPv4
Browser (Plugin)	IE10, IE11, Chrome 45+, Edge 79+, Firefox 52+

VIDEO/AUDIO INPUT	
IP Video Input	64-ch
RCA Audio Input	1-ch

VIDEO/AUDIO OUTPUT	
HDMI Output	HDMI1: 8K (7680 × 4320) / 30 Hz, 4K (3840 × 2160) / 60 Hz, 1920 × 1080 / 60 Hz, 1600 × 1200 / 60 Hz, 1280 × 1024 / 60 Hz, 1280 × 720 / 60 Hz, 1024 × 768 / 60 Hz; HDMI2: 4K (3840 × 2160) / 60 Hz, 1920 × 1080 / 60 Hz, 1600 × 1200 / 60 Hz, 1280 × 1024 / 60 Hz, 1280 × 720 / 60 Hz, 1024 × 768 / 60 Hz
VGA Output	1920 × 1080 / 60 Hz, 1600 × 1200 / 60 Hz, 1280 × 1024 / 60 Hz, 1280 × 720 / 60 Hz, 1024 × 768 / 60 Hz
RCA Audio Output	2-ch
Liveview Display	1 / 4 / 6 / 8 / 9 / 16 / 25 / 36 / 64
Corridor Mode Screen	3 / 4 / 5 / 7 / 9 / 10 / 12 / 16 / 32

TWO-WAY AUDIO	
Two-way Audio	1-ch,RCA(Using the audio input and output)

SNAPSHOT	
FTP / Schedule / Event Snapshot	16-ch snapshot (max. 8 MP (3840 × 2160) video resolution, with 1080P snapshot resolution)

RECORDING	
Recording Resolution	32 MP / 16 MP / 12 MP / 8 MP / 6 MP / 5 MP / 4 MP / 3MP / 1080P / 960P / 720P / D1 / 2CIF / CIF
Synchronous Playback in Local	16-ch

SMART	
VCA Detection by IPC	Face Detection, Face Comparison, Vehicle Detection, SIP (Intrusion Detection, Cross Line Detection, Enter Area, Leave Area), Ultra Motion Detection (UMD), Temperature Detection (Fire Detection, Smoking Detection, Temperature Measurement, Smoke and Fire Detection), People Counting (People Flow Counting, Crowd Density Monitoring), Video Metadata, Traffic Monitoring
VCA Search	Face Snapshot Search, Face Comparison Search, Motor Vehicle Search, Non Motor Vehicle Search, Human Body Search, General Search, People Counting Report, Heat Map
Smart by IPC	All channels (up to 32 images/s in total) Face Detection, Face Comparison, Vehicle Detection, Temperature Detection, SIP, UMD, Video Metadata, Traffic Monitoring

ALARM	
General Alarm	Defocus Detection, Scene Change Detection, Object Left Behind, Object Removed, Auto Tracking, Motion Detection, Tampering, Human Body Detection, Video Loss, Alarm Input, Audio Detection
Alert Alarm	IP Conflict, Network Disconnected, Disk Offline, Disk Abnormal, Illegal Access, Hard Disk Space Low, Hard Disk Full, Recording/Snapshot Abnormal

GUI LANGUAGE	
GUI Language	38 languages: Simplified Chinese, Traditional Chinese, English, Vietnamese, Thai, Turkish, Spanish (Latin America), Portuguese (Brazil), Spanish, Portuguese, French, German, Italian, Dutch, Polish, Czech, Hungarian, Slovak, Russian, Hebrew, Arabic, Ukrainian, Estonian, Bulgarian, Greek, Romanian, Danish, Swedish, Norwegian, Finnish, Croatian, Slovenia, Serbia, Korean, Japanese, Latvian, Lithuanian, Persian

HARD DISK	
SATA	16 SATA Interfaces
Capacity	Up to 16 TB for each HDD (The maximum HDD capacity varies with environment temperature)
Disk Group	Support
Redundant Storage	Support
Disk Array Type	RAID 0, 1, 5, 6, 10, 50, 60

Spec Sheet: NVR64-16E-NCV

32MP 8K 64 Channel 3U NVR w/ Analytics



Product Specifications Cont.

HARD DISK CONT.	
Hot Swap	Support

EXTERNAL INTERFACE	
Network Interface	2 RJ45 10 M/100 M/1000 M self-adaptive Ethernet Interface
USB	Front panel: 2 × USB2.0, Rear panel: 2 × USB3.0
RS485	1
RS232	1
Alarm In	16-ch
Alarm Out	10-ch
eSATA	1
Power Output	12 V
Power Supply	AC 100 to 240 V
Power Switch	Support
Redundant Power Supply	Support

WORKING ENVIRONMENT	
Working Temperature	14 °F to 131 °F
Working Humidity	≤ 90% RH (non-condensing)
Power Consumption (without HDD)	≤ 50W

DIMENSIONS	
Weight (without HDD)	14.3lb
Height	3U
Dimensions	19.0"×21.0"×5.1"

CERTIFICATION	
Certification	-22°F ~ 140°F, Humidity: ≤95% RH (non-condensing)
CE	EN 55032, EN 61000-3-3, EN IEC 61000-3-2, EN 55035
FCC	Part15 Subpart B

Additional Products



OPTIVIEW'S VIDEO MONITORING SOFTWARE
Remote Monitoring



SURVEILLANCE DRIVES
4TB / 8TB / 10TB



IP8MIBC-212-NCV
4K Varifocal IP Bullet Camera w/ Analytics

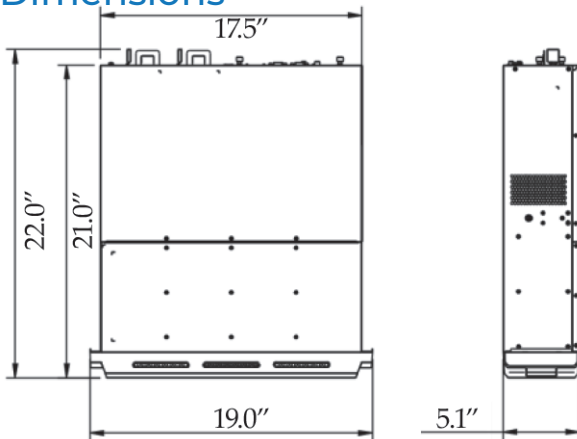


IP8MIAD-212AI-NCV
4K Varifocal IP Armor Dome w/ Analytics



IP5MPTZ-4XADM-NCV
5MP Active Deterrence PTZ w/ Two Way Talk

Dimensions



Spec Sheet: NVR64-16E-NCV

32MP 8K 64 Channel 3U NVR w/ Analytics



Backplate

