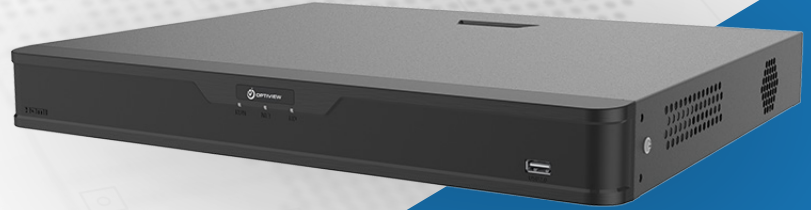




12MP 16 Channel 16 PoE 1U NVR w/ Analytics

SKU: NVR16P16-2BS-NCV

- 16 Ch PoE at 30W per port up to max 240W
- Decoding of 2x at 12MP/30FPS or 16x at 720P/30FPS
- Two Way Talk with 1/1 Audio In/Out
- 8/2 Alarm In/Out with 1x RS485
- Max 2x 10TB Hard Drive Capacity
- Ultra 265, H.265, H.264 Video Compression



Smart Intrusion Prevention

Utilizing machine learning and data intelligence, Smart Intrusion Prevention or SIP helps reduce false-alarm rates by allowing you to set up Cross Line Detection, Intrusion Detection, as well as Enter / Leave Area, all which can do any combination of human/vehicle/non-motor vehicle recognition. Smart Intrusion Prevention's detection rate of >95% helps you improve your perimeter protection, reduce false alarms while keeping you informed about the events that matter the most to you.

Ultra Motion Detection

Utilizing machine learning and data intelligence, Ultra Motion Detection or UMD helps you filter out objects based on motion detection, detecting motion of specified object types in the image, and trigger an alarm when such motion is detected. UMD supports two different object types: Person and Vehicle. UMD provides a detection rate of >90% up to 49ft and is more efficient than traditional motion detection, further reducing false-alarms. Ultra Motion Detection can be configured to your full screen or specific area(s) for detection.

Real Time Face Recognition

The NVR16P16-2BS-NCV comes fully equipped with advanced facial attributes analysis. Identify, capture and record people based on gender, age, expression, glasses, mustache, face mask. With real time facial feature filtering, you can display faces with targeted features.

Bandwidth

With a higher throughput of 160Mbps your IP network cameras can record at higher frame rates and resolutions without maxing out.

People Counting

The NVR16P16-2BS-NCV detects and tracks target by using advanced image processing technology and deep learning algorithm. You can draw 4 polygon areas, and count people in each area; When the number of the people in the area is greater than or equal to/lower than or equal to the defined threshold, the alarm will be triggered.

Spec Sheet: NVR16P16-2BS-NCV

12MP 16 Channel 16 PoE 1U NVR w/ Analytics



Automatic Network Replenishment (ANR) Technology

Network Video Recorders with the ANR function automatically store video data on an IP camera SD card when the network is disconnected. After recovery of the network, the NVR automatically retrieves the video data stored on the camera.

Crowd Density

With deep learning algorithm, the NVR16P16-2BS-NCV can detect the crowd density on the image, and display it on heat map; it can detect people quantity and density in selected area and set threshold. When the number or density is larger or smaller than the threshold, it triggers linkage.

Heat Map

Heat map is an intelligent feature that visually represents visitor traffic density using color. This feature helps users understand customer movement patterns within monitored areas. Completely customizable to your unique needs by background update rates, sensitivity, minimum object size for detection, and area. Heat map offers valuable insights for retail analytics, space utilization, and crowd management enabling data driven decision-making for security and operations.

Cross Line

Cross line detection is a feature that allows you to set virtual lines within the camera's field of view to trigger when an object crosses. This feature is particularly useful for monitoring perimeters, entrances, and other critical areas. This enhances your security by providing real-time notifications of potential events assisting in unauthorized access with quick responses.

Product Specifications

DECODING	
Decoding Format	Ultra 265,H.265,H.264
Decoding Capability	Smart Off: 2 x 12MP@30, 2 x 4K@30, 4 x 4MP@30, 10 x 1080P@30, 16 x 720P@30 Smart On: 2 x 4K@30, 4 x 4MP@30, 8 x 1080P@30, 16 x 720P@30
Audio Compression	G.711A, G.711U

NETWORK	
Incoming Bandwidth	160Mbps
Outgoing Bandwidth	128Mbps
Remote Users	128
Protocols	TCP/IP; P2P; NTP; DHCP; PPPoE; HTTP; HTTPS; DNS; DDNS; SNMP; SMTP; RTSP; IPv6; IPv4
Browser(Plugin)	Windows:IE(IE10/11),Firefox (version 52.0 and above),Chrome(version 45 and above),Edge(version 79 and above)

Auto-Tracking

This feature controls the pan/tilt/zoom actions of the camera to automatically track an object in motion and to keep it in the scene. The tracking action can be triggered manually or automatically by defined rules. Once a rule is triggered, the camera can zoom in and track the defined target automatically.

ULTRA 265 Compression

Utilizing H.265 advanced video encoding, provides high-quality video while reducing the storage space needed to retain your video events. Users can add their own memory card to take advantage of its edge recording capabilities.

NDAA Compliance

The John S. McCain National Defense Authorization Act (NDAA) is a United States federal law which specifies the budget, expenditures and policies of the U.S. Department of Defense. For Fiscal Year 2019, the NDAA Section 889, prohibits the U.S. government from procuring video and telecommunication equipment from certain Chinese companies and their subsidiaries. Some non government projects may require NDAA compliance if federal funding is being used.

Spec Sheet: NVR16P16-2BS-NCV

12MP 16 Channel 16 PoE 1U NVR w/ Analytics



Product Specifications Cont.

VIDEO/AUDIO INPUT	
IP Video Input	16-ch
RCA Audio Input	1-ch

VIDEO / AUDIO OUTPUT	
HDMI Output	HDMI: 4K(3840 x 2160) / 30Hz, 1920 x 1080p / 60Hz, 1920 x 1080p / 50Hz, 1600 x 1200 / 60Hz, 1280 x 1024 / 60Hz, 1280 x 720 / 60Hz, 1024 x 768 / 60Hz
VGA Output	VGA: 1920 x 1080p / 60Hz, 1920 x 1080p / 50Hz, 1600 x 1200 / 60Hz, 1280 x 1024 / 60Hz, 1280 x 720 / 60Hz, 1024 x 768 / 60Hz
RCA Audio Output	1-ch
Liveview Display	1 / 4 / 6 / 8 / 9 / 16
Corridor Mode Screen	3 / 4 / 5 / 7 / 9 / 10 / 12 / 16

TWO-WAY AUDIO	
Two-way Audio	1-ch,RCA(Using the audio input and output)

SNAPSHOT	
FTP / Schedule / Event Snapshot	4-ch snapshot, up to D1 resolution

RECORDING	
Recording Resolution	12MP / 8MP / 6MP / 5MP / 4MP / 3MP / 1080P / 960P / 720P / D1 / 2CIF / CIF
Synchronous Playback in Local	16-ch

SMART	
VCA Detection by IPC	Face Detection; Vehicle Detection; SIP (Intrusion Detection, Cross Line Detection, Enter Area, Leave Area); Ultra Motion Detection (UMD); People Counting (People Flow Counting, Crowd Density Monitoring); Traffic Monitoring
Smart by NVR	Face Detection; Smart Intrusion Prevention (SIP); Ultra Motion Detection(UMD)
VCA Search	Motor Vehicle Search; Non-Motor Vehicle Search; Human Body Search; General Search; People Counting Report; Heat Map
Smart by IPC	All channels (up to 8 images/s in total) Face Detection, Vehicle Detection, SIP, UMD, Traffic Monitoring

SMART CONT.	
Vehicle Picture Library	Up to 5 vehicle picture libraries, with up to 25,000 vehicle pictures in total
SIP by NVR	2-ch
UMD by NVR	4-ch

ALARM	
General Alarm	Defocus Detection; Scene Change Detection; Object Left Behind; Object Removed; Auto Tracking; Motion Detection; Tampering; Human Body Detection; Video Loss; Alarm Input; Audio Detection
Alert Alarm	IP Conflict; Network Disconnected; Disk Offline; Disk Abnormal; Illegal Access; Hard Disk Space Low; Hard Disk Full; Recording/Snapshot Abnormal

GUI LANGUAGE	
GUI Language	38 languages: Simplified Chinese, Traditional Chinese, English, Vietnamese, Thai, Turkish, Spanish (Latin America), Portuguese (Brazil), Spanish, Portuguese, French, German, Italian, Dutch, Polish, Czech, Hungarian, Slovak, Russian, Hebrew, Arabic, Ukrainian, Estonian, Bulgarian, Greek, Romanian, Danish, Swedish, Norwegian, Finnish, Croatian, Slovenia, Serbia, Korean, Japanese, Latvian, Lithuanian, Persian

HARD DISK	
SATA	2 SATA Interfaces
Capacity	Up to 10TB for each HDD (The maximum HDD capacity varies with environment temperature)

EXTERNAL INTERFACE	
Network Interface	1 RJ45 10M/100M/1000M self-adaptive Ethernet Interface
USB	Front panel: 1 x USB2.0 Rear panel: 1 x USB3.0
RS485	1
RS232	N/A
Alarm In	8-ch
Alarm Out	2-ch
Power Supply	AC 100~240V

Spec Sheet: NVR16P16-2BS-NCV

12MP 16 Channel 16 PoE 1U NVR w/ Analytics



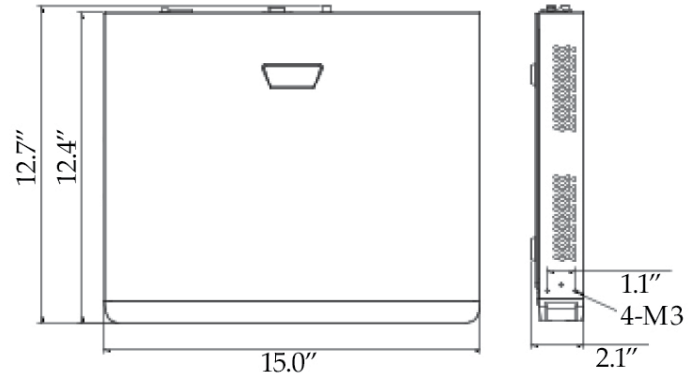
Product Specifications Cont.

POE	
PoE Interface	16 RJ45 10M/100M self-adaptive Ethernet Interface
Max Power	Max 30W for single port, Max 240W in total
Supported Standard	IEEE 802.3at, IEEE 802.3af

CERTIFICATION	
Certification	CE, FCC, UL, RoHS, WEEE
CE	EN 55032, EN 61000-3-3, EN IEC 61000-3-2, EN 55035
FCC	Part15 Subpart B

WORKING ENVIRONMENT	
Working Temperature	+14°F ~ +131°F
Working Humidity	≤ 90% RH (non-condensing)
Power Consumption (without HDD)	≤ 12W

Dimensions



DIMENSIONS	
Weight (without HDD)	6.0lb
Dimensions	15.0" × 12.7" × 2.1"

Additional Products



OPTIVIEW'S VIDEO MONITORING SOFTWARE
Remote Monitoring



SURVEILLANCE DRIVES
4TB / 8TB / 10TB



IP8MIBC-212-NCV
8MP 4K Varifocal Bullet Camera w/ Analytics



IP8MIAB-212-NCV
8MP 4K Varifocal Armor Ball w/ Analytics



IP4MPTZ25SIR-NCV
4MP 25X STARLIGHT IP PTZ Camera

Backplate

