

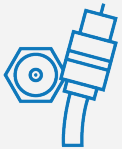


Optiview



HDCD8M-28A-NCV

4K / 8MP COAX Armor Ball Camera w/ Built-in Mic



8MP Over Coax

Capture HD video footage with 8MP HD-Over-Coax 2.8MM fixed lens with a maximum aperture of F1.6



131FT IR

High powered night vision with a minimum illumination of 0.005 LUX and IR.



WDR

Wide Dynamic Range or (WDR) gives this camera the capability to handle brighter and darker conditions.



IP67

All metal aluminum housing for indoor and outdoor installations with 4KV lightning rating.



Audio over Coax

This integrated design helps reduce wiring troubles translating to lower costs

4K RESOLUTION

4K resolution captures images four times the pixel density of 1080P which means that the finer details, such as faces or smaller items can be viewed with more detail than traditional 1080P surveillance.

WIDE DYNAMIC RANGE

The camera achieves vivid images, even in the most intense contrast lighting conditions, using industry-leading wide dynamic range (WDR) technology. For applications with both bright and low lighting conditions that change quickly, True WDR (120 dB) optimizes both the bright and dark areas of a scene at the same time to provide usable video.

UP TO 131FT IR DISTANCE

The HDCD8M-28A-NCV is capable of producing a stunningly clear, colorful video with low illuminance enhancement for darker environments. In the darkest environments, on board IR illumination kicks in. The HDCD8M-28A-NCV provides clear video capture in both day and night with high definition video output.

COMMERCIAL GRADE EQUIPMENT

Built for endurance, this all metal housing is rated IP67, which means it is protected from water and dust. Mount this camera anywhere with it's 3-axis cable management bracket. Additional junction boxes and brackets are available for additional installation options, and help further protect your cables and connections.

BUILT-IN AUDIO

The HDCD8M-28A-NCV comes with a built-in mic to help give you even more protection than a traditional still video.

HDCD8M-28A-NCV

8MP / 4K COAX Armor Ball Camera w/ Built-in Mic



NDAA COMPLIANCE

The John S. McCain National Defense Authorization Act (NDAA) is a United States federal law which specifies the budget, expenditures and policies of the U.S. Department of Defense. For Fiscal Year 2019, the NDAA Section 889, prohibits the U.S. government from procuring video and telecommunication equipment from certain Chinese companies and their subsidiaries. Some non government projects may require NDAA compliance if federal funding is being used.

PRODUCT SPECIFICATIONS

SENSOR	
Pixel	8MP
Size	1/2.7"
Minimum Illumination	0.005 lux (F1.6, AGC ON) 0 lux (IR ON)

LENS	
Lens	2.8mm
Lens Mount	M12
Angle of View	H: 109.1° V: 61.0° D: 126.7°

ILLUMINATOR	
Illuminator	Two IR Illuminators
Illumination Distance	131FT
Lifetime	≥60,000 hours

VIDEO	
Resolution	4K: 3840(H) × 2160(V) 5MP @ 20fps: 2592(H) × 1944(V); 5MP @ 12.5fps: 2592(H) × 1944(V) 4MP: 2560(H) × 1440(V)
Frame Rate	CVI: 4K @ 15fps (default), 5MP @ 20fps, 4MP @ 25fps, 4MP @ 30fps TVI/AHD: 4K @ 15fps, 5MP @ 20fps, 4MP @ 25fps, 4MP @ 30fps CVBS: PAL, NTSC
Shutter Time	PAL: 1/25s-1/50000s NTSC: 1/30s-1/50000s

IMAGE	
Exposure Mode	Four Modes: Global (default), BLC, HLC, WDR
Day / Night	Three Modes: Auto (default), Day, Night

IMAGE CONT.	
Digital Noise Reduction	2D / 3D
White Balance	Two Modes: Auto (default), Manual
WDR	120dB WDR
Smart IR	Support
Flip	Supports 180° Horizontal Flip, 180° Vertical Flip
Defog	N/A

AUDIO	
Microphone	Built-in Mic
Camera Audio	CVI: 4K @ 15fps, 5MP @ 20fps, 4MP @ 25fps, 4MP @ 30fps

INTERFACE	
Power	5.5mm power interface
Video Output	BNC, supports TVI / AHD / CVI / CVBS

OPERATING ENVIRONMENT	
Temperature	-22°F to 140°F
Humidity	≤95% (RH, non-condensing)
Surge Protection	4kV

GENERAL	
Power	DC 12V (±25%), with reverse polarity protection, Max 4.8W
Mount	Surface Mount (default), Optional Backbox, Wall Mount Bracket
Dimensions	4.37in * 3.85in (diameter * height)
Material	Metal
Weight	0.92lb
OSD Menu Language	11 Languages: English, German, Spanish(Latin America), French, Italian, Japanese, Korean, Polish, Portuguese(Brazil), Russian, Turkish

HDCD8M-28A-NCV

8MP / 4K COAX Armor Ball Camera w/ Built-in Mic



PRODUCT SPECIFICATIONS CONT.

CERTIFICATION	
EMC	CE-EMC (EN 55032, EN 61000-3-3, EN IEC 61000-3-2, EN 55035) FCC (FCC 47 CFR part 15 B)
Safety	CE-LVD (EN 62368-1)
Environment	CE-RoHS (2011/65/EU; (EU)2015/863); WEEE (2012/19/EU)
Protection	IP67 (IEC 60529)

ADDITIONAL PRODUCTS



OPTIVIEW'S VIDEO MONITORING SOFTWARE
Remote Monitoring



HDVR324K-2I-NCV
32 Channel 5-Way 4k / 8 Megapixel 1u DVR



HDCD5M-28A-NCV
5MP Coax Armor Ball Camera w/ Mic



HDCB5M-28A-NCV
5MP Coax Bullet Camera w/ Mic



HDCD5M-28A-LED-NCV
5MP Full Color Coax Armor Ball Camera w/ Mic

COMPATIBLE BRACKETS

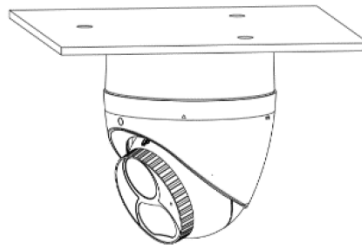


BKT-03
Wall Mount Bracket for NDAA Cameras

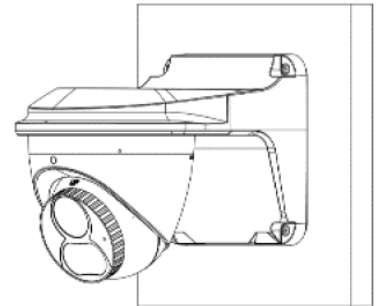


BKT-05
Junction Box for NDAA Cameras

MOUNTING OPTIONS



Ceiling Mount



Wall Mount

DIMENSIONS

