

OPTIVIEW



IP4MIAB-28-AI

4MP Fixed Armor Ball IP Camera with Analytics



4MP IP

Capture HD video footage with 4MP IP fixed focal lens with a maximum aperture of F1.6.



ID+

Advanced motion detection that filters out false alarms and only triggers with people or vehicles.



Perimeter Protection

Combine Tripwire & Intrusion with object detection (people or vehicles) for advanced motion detection.



IP67

All metal aluminum housing for indoor and outdoor installations.



Built-In Mic

This camera comes with a Built-In Mic getting you even more data and protection from your device.

ID+

Intelligent Motion Detection Plus, or ID+, is an upgraded version of ID that greatly improves the alarm accuracy only triggering motion detect when people or vehicles are detected, filtering out tree movement, lighting changing, and more.

UP TO 98FT IR DISTANCE

The IP4MIAB-28-AI is capable of producing a stunningly clear, colorful video with low illuminance enhancement for darker environments. In the darkest environments, on board IR illumination kicks in. The IP4MIAB-28-AI provides clear video capture in both day and night with high definition video output.

PERIMETER PROTECTION

Combine multiple tripwire and intrusion IVS rules with object (people or vehicle) detection to enable advanced motion detection alarms and alerts. Ideal for crosswalks, parking lots, communities, lawns, schools, and more.

BUILT-IN AUDIO

The IP4MIAB-28-AI comes with a built-in mic to help give you even more protection than a traditional still video.

WIDE DYNAMIC RANGE

The camera achieves vivid images, even in the most intense contrast lighting conditions, using industry-leading wide dynamic range (WDR) technology. For applications with both bright and low lighting conditions that change quickly, True WDR (120 dB) optimizes both the bright and dark areas of a scene at the same time to provide usable video.

IP4MIAB-28-AI

4MP Fixed Armor Ball IP Camera with Analytics



SMART H.265+

Reduce bit rate and storage requirements by up to 80% when compared to standard H.265 (up to 90% vs H.264), allowing video to be stored for longer periods of time.

COMMERCIAL GRADE EQUIPMENT

Built for endurance, this all metal housing is rated IP67, which means it is protected from water and dust. Mount this camera anywhere with its 3-axis cable management bracket. Additional junction boxes and brackets are available for additional installation options, and help further protect your cables and connections.

PRODUCT SPECIFICATIONS

CAMERA	
Image Sensor	1/2.9" CMOS
Max. Resolution	2688 (H) x 1520 (V)
ROM	128 MB
RAM	128 MB
Scanning System	Progressive
Electronic Shutter Speed	Auto / Manual / 1/3 s - 1/100,00s
Min. Illumination	0.008 lux @ F1.6 (Color, 30 IRE) 0.0008 lux @ F1.6 (B/W, 30 IRE) 0 lux (Illuminator on)
S / N Ratio	>56 dB
Illumination Distance	98.43 ft (IR LED)
Illuminator On/ Off Control	Auto; Manual
Illuminator Number	1 (IR LED)
Pan / Tilt / Rotation Range	Pan: 0°-360° Tilt: 0°-78° Rotation: 0°-360°

LENS	
Lens Type	Fixed-Focal
Lens Mount	M12
Focal Length	2.8 mm
Max. Aperture	F1.6
Field of View	H: 95°; V: 52°; D: 114°
Iris Control	Fixed
Close Focus Distance	2.95 ft
DORI Distance	Detect: 208.66 ft; Observe: 83.33 ft; Recognize: 41.67 ft; Identify: 20.99 ft

INTELLIGENCE	
Perimeter Protection	Intrusion, Tripwire (the two functions support the classification and accurate detection of vehicle and human)

INTELLIGENCE CONT.	
Smart Search	Work together with Smart NVR to perform refine intelligent search, event extraction and merging to event videos

VIDEO	
Video Compression	H.264H; H.265; H.264; H.264B; MJPEG (Only supported by the sub stream)
Smart Codec	Smart H.265+; Smart H.264+
Video Frame Rate	Main stream: 2688 × 1520 @ (1 – 20 fps) / 2560 × 1440 @ (1 – 25 / 30 fps) Sub stream: 704 × 576 @ (1 – 25 fps) / 704 × 480 @ (1 – 30 fps) *The values above are the max. frame rates of each stream; for multiple streams, the values will be subjected to the total encoding capacity.
Stream Capability	2 Streams
Resolution	4M (2688 × 1520); 4M (2560 × 1440); 3M (2304 × 1296); 1080p (1920 × 1080); 1.3M (1280 × 960); 720p (1280 × 720); D1 (704 × 576 / 704 × 480); VGA (640 × 480); CIF (352 × 288 / 352 × 240)
Bit Rate Control	CBR / VBR
Video Bit Rate	H.264: 32 kbps – 6144 kbps H.265: 12 kbps – 6144 kbps
Day / Night	Auto (ICR) / Color / B/W
BLC	Yes
HLC	Yes
WDR	120 dB
White Balance	Auto; Natural; Street Lamp; Outdoor; Manual; Regional Custom
Gain Control	Auto; Manual
Noise Reduction	3D NR
Motion Detection	Off / On (4 Areas, Rectangular)
Region of Interest (ROI)	Yes (4 Areas)
Image Rotation	0° / 90° / 180° / 270° (Support 90° / 270° with 2688 × 1520 resolution and lower)
Mirror	Yes
Privacy Masking	4 Areas

IP4MIAB-28-AI

4MP Fixed Armor Ball IP Camera with Analytics



PRODUCT SPECIFICATIONS CONT.

AUDIO	
Built-In Mic	Yes
Audio Compression	G.711a; G.711Mu; PCM; G.726

ALARM	
Alarm Event	No SD Card; SD Card Full; SD Card Error; Network Disconnection; IP Conflict; Illegal Access; Motion Detection; Video Tampering; Tripwire; Intrusion; ID+; Voltage Detection; Security Exception

NETWORK	
Network Port	RJ-45 (10 / 100 Base-T)
SDK and API	Yes
Network Protocol	IPv4; IPv6; HTTP; TCP; UDP; ARP; RTP; RTSP; RTCP; RTMP; SMTP; FTP; SFTP; DHCP; DNS; DDNS; NTP; Multicast; ICMP; IGMP
Interoperability	ONVIF (Profile S / Profile T); CGI; P2P; Milestone
User / Host	6 (Total Bandwidth: 36 M)
Storage	FTP; SFTP; Memory Card Slot (Up to 256 GB Max)
Browser	IE; Chrome; Firefox
Management Software	VMS, VMX, VMX+, VMX-M
Mobile Client	iOS; Android
Cyber Security	Configuration Encryption; Trusted Execution; Digest; Security Logs; WSSE; Account Lockout; Syslog; video Encryption; 802.1x; IP / Mac Filtering; HTTPS; Trusted Upgrade; Trusted Boot; Generation and Importing of X.509 Certification

CERTIFICATION	
Certifications	CE-LVD: EN 62368-1
	CE-EMC: Electromagnetic Compatibility Directive 2014/30/EU
	FCC: 47 CFR FCC Part 15, Subpart B

POWER	
Power Supply	12 VDC / . PoE (802.3af)
Power Consumption	Basic: 2.5 W (12 VDC); 3.3 W (PoE);
	Max. (ICR + H.265 + max. resolution + main stream + IR intensity + WDR + IVS): 4.2 W (12 VDC); 5.1 W (PoE)

ENVIRONMENT	
Operating Temperature	-40 °F to 140 °F
Operating Humidity	≤95%
Storage Temperature	-40 °F to 140 °F
Protection	IP67

STRUCTURE	
Casing Material	Inner Core: Metal Cover: Metal Decoration Ring: Plastic
Product Dimensions	3.90" × Φ4.80"
Net Weight	1.06 lbs
Gross Weight	1.5 lbs

ADDITIONAL PRODUCTS



OPTIVIEW'S VIDEO MONITORING SOFTWARE
Remote Monitoring



NVR32-8I
32 Channel 4K 2U NVR
With Analytics



IP4MIAB-28-AD
4MP Fixed Bullet
Camera With Built-In Mic



IP8MIBC-28
Night Color 2x 4MP Wide
Angle Bullet Camera



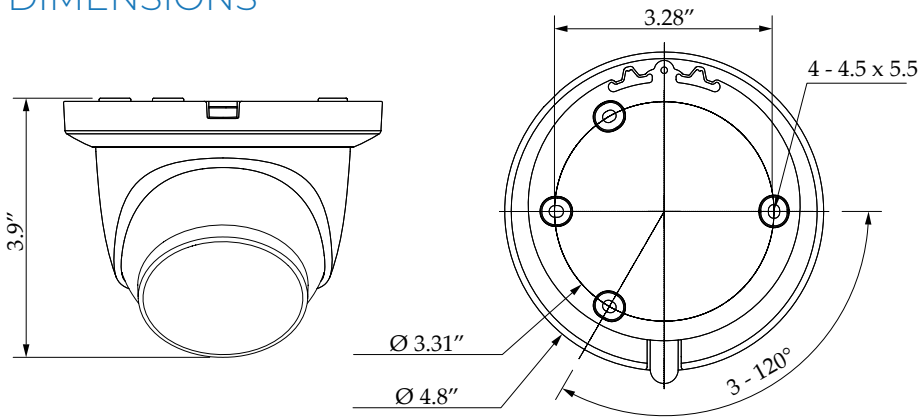
IP2MPTZ-4XSL
2MP 4x Optical Zoom
Armor Dome PTZ

IP4MIAB-28-AI

4MP Fixed Armor Ball IP Camera with Analytics



DIMENSIONS



IP4MIAB-28-AI

4MP IR Fixed-Focal Armor Ball IP Camera with Analytics



ADDITIONAL PRODUCTS



OPTIVIEW's VIDEO MONITORING SOFTWARE
Remote Monitoring



NVR32-8I
32 Channel 4K 2U NVR
With Analytics



IP4MIAB-28-AD
4MP Fixed Bullet
Camera With Built-In Mic



IP8MIBC-28
Night Color 2x 4MP Wide
Angle Bullet Camera



IP2MPTZ-4XSL
2MP 4x Optical Zoom
Armor Dome PTZ

COMPATIBLE BRACKETS

MOUNTING OPTIONS



PLACEHOLDER

JB137
Junction Box for
HD & IP Camera



PLACEHOLDER PLACEHOLDER

HDBKT2
Armor Dome Camera
Wall Mount Bracket

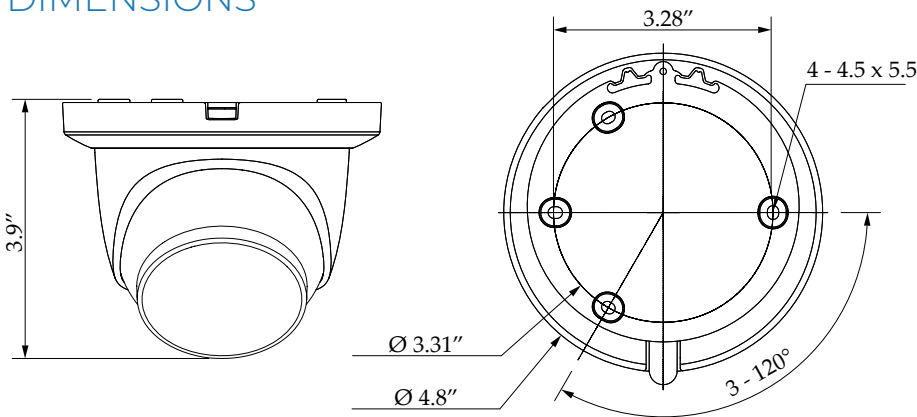


JB123
Junction Box for
HD & IP Cameras

PLACEHOLDER

Ceiling Mount

DIMENSIONS



PLACEHOLDER

Wall Mount