



Optiview



IP8MIBC-28-AI

8MP Smart Night Color Fixed IP Bullet Camera



8MP 4K IP

Up to 8MP Resolution for Preview and Playback



Smart Night Color

Get full night color only when you need when ID+ / Perimeter Protection detects targeted events.



ID+

Advanced motion detection that filters out false alarms and only triggers with people or vehicles.



IP67

All metal aluminum housing for indoor and outdoor installations.



Perimeter Protection

Combine Tripwire & Intrusion with object detection (people or vehicles) for advanced motion detection.

4K RESOLUTION

4K resolution captures images four times the pixel density of 1080P which means that the finer details, such as faces or smaller items can be viewed with more detail than traditional 1080P surveillance.

ID+

Intelligent Motion Detection Plus, or ID+, is an upgraded version of ID that greatly improves the alarm accuracy only triggering motion detect when people or vehicles are detected, filtering out tree movement, lighting changing, and more.

BUILT-IN AUDIO

The IP8MIBC-28-AI comes with a built-in mic to help give you even more protection than a traditional still video.

SMART NIGHT COLOR

With its smart night color technology, the camera automatically turns on the white light when it detects person / vehicle movement in it's monitored area to capture clear, vivid images. When the target leaves the rule area, the camera automatically switches over from the white light to the IR illuminator to significantly reduce light pollution.

PERIMETER PROTECTION

Combine multiple tripwire and intrusion IVS rules with object (people or vehicle) detection to enable advanced motion detection alarms and alerts. Ideal for crosswalks, parking lots, communities, lawns, schools, and more.

IP8MIBC-28-AI

8MP Smart Night Color Fixed IP Bullet Camera



SMART H.265+

Reduce bit rate and storage requirements by up to 80% when compared to standard H.265 (up to 90% vs H.264), allowing video to be stored for longer periods of time.

UP TO 98FT IR DISTANCE

The IP8MIBC-28-AI is capable of producing a stunningly clear, colorful video with low illuminance enhancement for darker environments. In the darkest environments, on board IR illumination kicks in. The IP8MIBC-28-AI provides clear video capture in both day and night with high definition video output.

WIDE DYNAMIC RANGE

The camera achieves vivid images, even in the most intense contrast lighting conditions, using industry-leading wide dynamic range (WDR) technology. For applications with both bright and low lighting conditions that change quickly, True WDR (120 dB) optimizes both the bright and dark areas of a scene at the same time to provide usable video.

COMMERCIAL GRADE EQUIPMENT

Built for endurance, this all metal housing is rated IP67, which means it is protected from water and dust. Mount this camera anywhere with its 3-axis cable management bracket. Additional junction boxes and brackets are available for additional installation options, and help further protect your cables and connections.

PRODUCT SPECIFICATIONS

CAMERA	
Image Sensor	1/2.7" CMOS
Max. Resolution	3840 (H) x 2169 (V)
ROM	128 MB
RAM	128 MB
Scanning System	Progressive
Electronic Shutter Speed	Auto / Manual 1/3 s - 1/100,00 s
Min. Illumination	0.008 lux @ F1.6 (Color, 30 IRE) 0.0008 lux @ F1.6 (B/W, 30 IRE) 0 lux (Illuminator on)
S / N Ratio	> 56 dB
Illumination Distance	98.43 ft (IR); 98.43 ft (Warm light)
Illuminator On / Off Control	Auto; Manual
Illuminator Number	1 (IR LED); 1 (Warm Light)
Pan / Tilt / Rotation Range	Pan: 0° - 360° Tilt: 0° - 90° Rotation: 0° - 360°

LENS	
Lens Type	Fixed-Focal
Lens Mount	M12
Focal Length	2.8mm
Max. Aperture	F1.6
Field of View	H: 111°; V: 58°; D: 132°
Iris Control	Fixed
Close Focus Distance	4.92 ft; 6.23 ft
DORI Distance	Detect: 278.22 ft; Observe: 111.22 ft; Recognize: 55.77 ft; Identify: 27.89 ft

INTELLIGENCE	
Perimeter Protection	Intrusion, Tripwire (the two functions support the classification and accurate detection of vehicle and human)
Smart Search	Work together with Intelligent NVR to perform refine intelligent search, event extraction and merging to event videos



PRODUCT SPECIFICATIONS CONT.

VIDEO	
Video Compression	H.265; H.264; H.264H; H.264B; MJPEG (Only supported by the sub stream)
Smart Codec	Smart H.265+; Smart H.264+
Video Frame Rate	Main stream: 3840 × 2160 @ (1 – 20 fps) / 2688 × 1520 @ (1 – 25 / 30 fps) Sub stream: 704 × 576 @ (1 – 25 fps) / 704 × 480 @ (1 – 30 fps) *The values above are the max. frame rates of each stream; for multiple streams, the values will be subjected to the total encoding capacity.
Stream Capability	2 Streams
Resolution	3840 × 2160 (3840 × 2160); 3072 × 2048 (3072 × 2048); 3072 × 1728 (3072 × 1728); 2880 × 1620 (2880 × 1620); 2688 × 1520 (2688 × 1520); 3M (2048 × 1536); 2304 × 1296 (2304 × 1296); 1080p (1920 × 1080); 1.3M (1280 × 960); 720p (1280 × 720); D1 (704 × 576 / 704 × 480); VGA (640 × 480); CIF (352 × 288 / 352 × 240)
Bit Rate Control	CBR / VBR
Video Bit Rate	H.264: 32 kbps – 8192 kbps H.265: 12 kbps – 8192 kbps
Day / Night	Auto (ICR) / Color / B/W
BLC	Yes
HLC	Yes
WDR	120 dB
White Balance	Auto; Natural; Street Lamp; Outdoor; Manual; Regional Custom
Gain Control	Auto; Manual
Noise Reduction	3DNR
Motion Detection	Off / On (4 Areas, Rectangular)
Region of Interest (ROI)	Yes (4 Areas)
Smart Illumination	Yes
Image Rotation	0° / 90° / 180° / 270° (Support 90° / 270° with 2688 × 1520 resolution and lower)
Mirror	Yes
Privacy Masking	4 Areas

AUDIO	
Built-In MIC	Yes
Audio Compression	G.711a; G.711Mu; PCM; G.726

ALARM	
Alarm Event	No SD Card; SD Card Full; SD Card Error; Network Disconnection; IP Conflict; Illegal Access; Motion Detection; Video Tampering; Tripwire; Intrusion; Audio Detection; Voltage Detection; ID+; Security Exception

NETWORK	
Network Port	RJ-45 (10 / 100 Base-T)
SDK and API	Yes
Network Protocol	IPv4; IPv6; HTTP; TCP; UDP; ARP; RTP; RTSP; RTCP; RTMP; SMTP; FTP; SFTP; DHCP; DNS; DDNS; QoS; UPnP; NTP; Multicast; ICMP; IGMP; NFS; PPPoE; Bonjour
Interoperability	ONVIF (Profile S / Profile G / Profile T); CGI; P2P; Milestone
User / Host	20 (Total Bandwidth: 48 M)
Storage	FTP; SFTP; Optional Memory Card Slot (support max. 256 GB); NAS
Browser	IE; Chrome; Firefox
Management Software	VMS; VMX; VMX+; VMX-M
Mobile Client	iOS; Android
Cyber Security	Configuration Encryption; Trusted Execution; Digest; Security Logs; WSSE; Account Lockout; Syslog; Video Encryption; 802.1x; IP / MAC Filtering; HTTPS; Trusted Upgrade; Trusted Boot; Firmware Encryption; Generation and Importing of X.509 Certification

CERTIFICATION	
Certifications	CE-LVD: EN62368-1 CE-EMC: Electromagnetic Compatibility Directive 2014 / 30 / EU FCC: 47 CFR FCC Part 15, Subpart B UL / CUL: UL60950-1 CAN / CSA C22.2 No.60950-1-07

POWER	
Power Supply	12 VDC / PoE (802.3af)
Power Consumption	Basic: 2.7 W (12 VDC); 3.4 W (PoE) Max. (H.265+ Max. Resolution + Max. Stream+ WDR + Warm Light Intensity + Perimeter Protection): 5 W (12 VDC); 5.9 W (PoE)

IP8MIBC-28-AI

8MP Smart Night Color Fixed IP Bullet Camera



PRODUCT SPECIFICATIONS CONT.

ENVIRONMENT	
Operating Temperature	-40 °F to 131 °F
Operating Humidity	≤ 95%
Storage Temperature	-40 °F to 140 °F
Storage Humidity	≤ 95%
Protection	IP67

STRUCTURE	
Casing Material	Metal
Product Dimensions	(6.54" × 2.76" × 2.76") (L × W × H)
Net Weight	1.04 lbs
Gross Weight	1.30 lbs

ADDITIONAL PRODUCTS



OPTIVIEW'S VIDEO MONITORING SOFTWARE
Remote Monitoring



NVR32-81
32 Channel 4K 2U NVR
With Analytics



IP4MIAB-28-AD
4MP Fixed Bullet
Camera With Built-In Mic

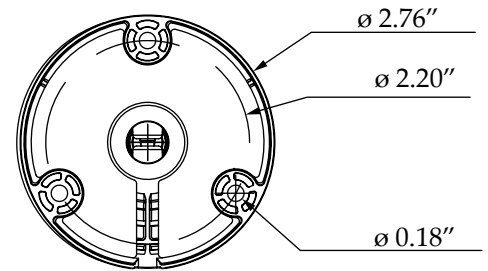
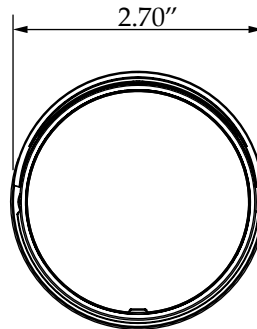
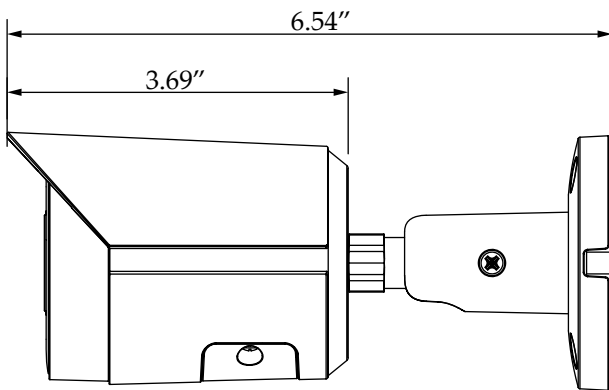


IP8MIBC-28
Night Color 2x 4MP Wide
Angle Bullet Camera



IP2MPTZ-12X
2 MP 12x Optical Zoom
PTZ Camera

DIMENSIONS

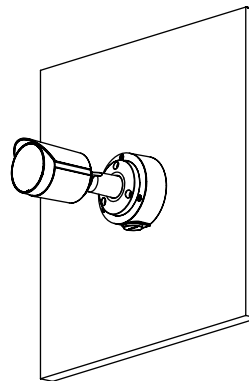


COMPATIBLE BRACKETS



JB134
Junction Box for
HD & IP Camera

MOUNTING OPTIONS



Ceiling Mount