



## HDVR85M-Q1AI

8 Channel 5-Way 5M 1U DVR with Analytics



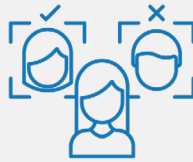
### Perimeter Protection

Combine Tripwire & Intrusion with object detection (people or vehicles) for advanced motion detection.



### ID+

Advanced motion detection that filters out false alarms and only triggers with people or vehicles.



### Face Recognition

Detect & Recognize faces that are and are not (stranger mode) in a database. Pair with Access Control.



### AI Search

Advanced smart search feature that searches by people and vehicles, with additional filters such as color, model, etc.



### 5M Over Coax

Record up to 8 channels at 5M video resolutions and H.265+ / AI Coding for video compression.

## ID+

Intelligent Motion Detection Plus, or ID+, is an upgraded version of ID that greatly improves the alarm accuracy only triggering motion detect when people or vehicles are detected, filtering out tree movement, lighting changing, and more.

## PERIMETER PROTECTION

Combine multiple tripwire and intrusion IVS rules with object (people or vehicle) detection to enable advanced motion detection alarms and alerts. Ideal for crosswalks, parking lots, communities, lawns, schools, and more.

## SMART H.265+

Smart H.265+ is the optimized implementation of the H.265 codec that uses a scene-adaptive encoding strategy, dynamic GOP, dynamic ROI, flexible multi-frame reference structure and intelligent noise reduction to deliver high-quality video without straining the network. Smart H.265+ technology reduces bit rate and storage requirements by up to 70% when compared to standard H.265 video compression.

## REAL TIME FACE RECOGNITION

The HDVR85M-Q1AI comes fully equipped with advanced facial attributes analysis. Identify, capture and record people based on gender, age, expression, glasses, mustache, face mask. With real time facial feature filtering, you can display faces with targeted features.

# HDVR85M-Q1AI

8 Channel 5-Way 5M 1U DVR with Analytics



## AI SMART SEARCH

Advanced AI Smart Search allows the user to perform searches by either people or vehicle (or both), and to add additional filters such as vehicle type or color, shirt color, gender, and more.

## FACE DATABASE MANAGEMENT

With access to configurable, multiple databases, this powerful face database can be applied to video channels independently. Name, gender, birthday, nationality, address, ID information can be added to each face picture.

## PRODUCT SPECIFICATIONS

SYSTEM	
Main Processor	Industrial-Grade Processor
Operating System	Embedded Linux
Operating Interface	Web; Local GUI

PERIMETER PROTECTION	
Perimeter Performance AI by Recorder	Advanced Model : 1 channel, 10 IVS for each channel General Model : 2 channels, 10 IVS for each channel

FACE DETECTION	
Face Attributes	Gender; Age Group; Glasses; Expressions; Face Mask; Beard
Face Detection Performance of AI by Recorder	1 Channel ( Up to 8 Face Images / s )

FACE RECOGNITION	
Face Database Capacity	Up to 10 Face Databases and 10,000 Images
Face Recognition Performance of AI by Recorder	1 Channel

ID+	
ID+ by Recorder	8-channel: Secondary filtering for human and motor vehicle , reducing false alarms caused by leaves, rain and lighting condition change

AUDIO AND VIDEO	
Analog Camera Input	8 channels, BNC: adaptive access by default; HDCVI, AHD, TVI and CVBS access can be configured.
Camera Input	CVI: 5 MP, 4 MP, 1080p @ 25 / 30 fps, 720p @ 50 / 60 fps, 720p @ 25 / 30 fps. TVI: 5 MP, 4 MP, 1080p @ 25 / 30 fps, 720p @ 25 / 30 fps. AHD: 5 MP, 4 MP, 1080p @ 25 / 30 fps, 720p @ 25 / 30 fps. CVBS: PAL / NTSC

AUDIO AND VIDEO CONT.	
IP Camera Input	Up to 12 channels of IPC access 4 IP channels by default + 8 channels ( analog channels are converted to IP channels ) incoming bandwidth: 64 Mbps, recording bandwidth: 64 Mbps and outgoing bandwidth: 64 Mbps  *After IP channels are added beyond the existing channels, the AI Function (IVS, ID+, FACE ) will be disabled.
Encoding Capacity	Main stream: All channel 5M-N ( 1 fps – 10 fps ); 4M - N / 1080p ( 1 fps – 15 fps ); 1080N / 720p / 960H / D1 / CIF ( 1 fps – 25 / 30 fps ) Sub stream: D1 / CIF ( 1 fps – 15 fps )
Dual-Stream	Yes
Video Bit Rate	32 kbps - 6144 kbps
Audio Sampling	8kHz, 16 bit
Audio Bit Rate	64 kbps
Video Output	1 HDMI, 1 VGA HDMI / VGA: 1920 × 1080, 1280 × 1024, 1280 × 720
Multi-Screen Display	With IP extension mode not enabled: 1 / 4 / 8 / 9 With IP extension mode enabled: 1 / 4 / 8 / 9 / 16
Third-Party Camera Access	ONVIF; Panasonic; Sony; Axis; Arecont; Pelco; Canon; Samsung

COMPRESSION STANDARD	
Video Compression	AI Coding; H.265+; H.265; H.264+; H.264
Audio Compression	G.711a; G.711u; PCM

NETWORK	
Network Protocol	HTTP; HTTPS; TCP / IP; IPv4; RTSP; UDP; SMTP; NTP; DHCP; DNS; DDNS; P2P
Mobile Phone Access	iOS; Android
Interoperability	ONVIF 21.06; CGI Conformant
Browser	Chrome; IE9 or later; Firefox
Network Mode	Single-Address Mode

# HDVR85M-Q1AI

8 Channel 5-Way 5M 1U DVR with Analytics



## PRODUCT SPECIFICATIONS CONT.

RECORDING PLAYBACK	
Record Mode	General, Motion Detection; Intelligent; Alarm; POS
Recording Playback	1/4/9
Backup Method	USB Device and Network
Playback Mode	Instant Playback, General Playback, Event Playback, Tag Playback, Smart Playback, ( Face and Motion Detection )

ALARM	
General Alarm	Motion Detection, Video Loss, Tampering
Anomaly Alarm	No Disk, Disk Error, Low Space, Offline, IP Conflict, MAC Conflict
Intelligent Alarm	Face Detection, Face Recognition, Perimeter Protection
Alarm Linkage	Record, Snapshot ( Panoramic ), IPC External Alarm Output, Access Controller, Voice Prompt, Buzzer, Log, Preset, Email

PORTS	
Audio Input	1 - Channel RCA; 1 - Channel BNC ( Coaxial Audio )
Audio Output	1 - Channel RCA
Two-Way Talk	Yes ( Share the same audio input with the first channel )
HDD Interface	1 SATA port, up to 16 TB. The maximum HDD capacity varies with environment temperature.
RS-485	1 Port, for PTZ Control
USB	2 USB Ports ( 2.0 )
HDMI	1
VGA	1
Network Port	1 ( 10 / 100 Mbps Ethernet Port, RJ-45 )

GENERAL	
Power Supply	12 VDC, 2 A
Power Consumption	< 7 W
Net Weight	2.65 lbs
Gross Weight	4.19 lbs
Product Dimensions	12.80" × 10.10" × 2.17" ( W × D × H )
Packaging Dimensions	14.65" × 12.13" × 4.61" ( W × D × H )
Operating Temperature	14 °F to 131 °F
Operating Humidity	0% - 90% ( RH )
Installation	Desktop
Certifications	FCC: Part 15 Subpart B CE: CE-LVD: EN 60950-1 / IEC 60950-1 CE-EMC: EN 61000-3-2; EN 61000-3-3; EN 55032; EN50130; EN 55024

## ADDITIONAL PRODUCTS



**OPTIVIEW VMX**  
Remote Monitoring



**SURVEILLANCE DRIVES**  
4TB / 8TB / 10TB



**HDCD5M-28A**  
5M Fixed Lens HD Armor Ball Camera w/ Mic



**HDCB5ML-VMA**  
5MP Motorized Varifocal HD Bullet Camera w/ Mic



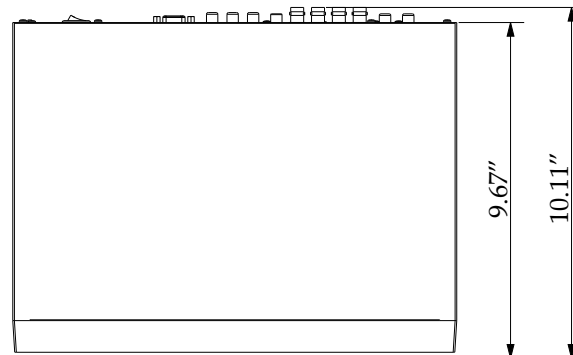
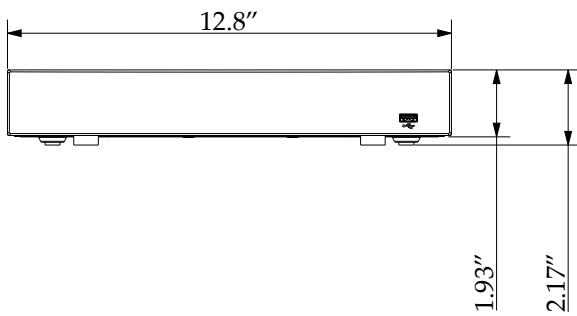
**HDPTZ4M-30S**  
4MP HD-over-Coax PTZ Camera with 30X Zoom

# HDVR85M-Q1AI

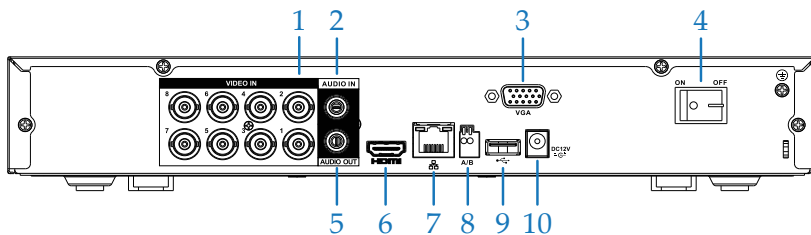
8 Channel 5-Way 5M 1U DVR with Analytics



## DIMENSIONS



## REAR PANEL



- 1. VIDEO IN
- 2. AUDIO IN, RCA Connector
- 3. VGA Interface
- 4. Power Switch
- 5. AUDIO OUT, RCA Connector
- 6. HDMI Interface
- 7. Network Port
- 8. RS485 Port
- 9. USB Interface
- 10. DC 12V Power Input