



HDVR44K-Q1AI

4 Channel 5-Way 4K 1U DVR with Analytics



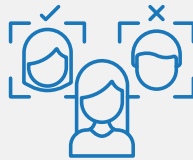
Perimeter Protection

Combine Tripwire & Intrusion with object detection (people or vehicles) for advanced motion detection.



ID+

Advanced motion detection that filters out false alarms and only triggers with people or vehicles.



Face Recognition

Detect & Recognize faces that are and are not (stranger mode) in a database. Pair with Access Control.



AI Search

Advanced smart search feature that searches by people and vehicles, with additional filters such as color, model, etc.



4K Over Coax

Record up to 4 channels at 4K video resolutions and H.265 / AI Coding for video compression.

PERIMETER PROTECTION

Combine multiple tripwire and intrusion IVS rules with object (people or vehicle) detection to enable advanced motion detection alarms and alerts. Ideal for crosswalks, parking lots, communities, lawns, schools, and more.

FASTER PROCESSOR

The HDVR44K-Q1AI comes with an even faster processor enabling 4k video recording at 7 frames per second.

REAL TIME FACE RECOGNITION

The HDVR44K-Q1AI comes fully equipped with advanced facial attributes analysis. Identify, capture and record people based on gender, age, expression, glasses, mustache, face mask. With real time facial feature filtering, you can display faces with targeted features.

SMART H.265+

Smart H.265+ is the optimized implementation of the H.265 codec that uses a scene-adaptive encoding strategy, dynamic GOP, dynamic ROI, flexible multi-frame reference structure and intelligent noise reduction to deliver high-quality video without straining the network. Smart H.265+ technology reduces bit rate and storage requirements by up to 70% when compared to standard H.265 video compression.

HDVR44K-Q1A1

4 Channel 5-Way 4K 1U DVR with Analytics



AI SMART SEARCH

Advanced AI Smart Search allows the user to perform searches by either people or vehicle (or both), and to add additional filters such as vehicle type or color, shirt color, gender, and more.

ID+

Intelligent Motion Detection Plus, or ID+, is an upgraded version of ID that greatly improves the alarm accuracy only triggering motion detect when people or vehicles are detected, filtering out tree movement, lighting changing, and more.

PRODUCT SPECIFICATIONS

SYSTEMS	
Main Processor	Embedded Processor
Operating System	Embedded LINUX

PERIMETER PROTECTION	
Performance	2 Channels, 10 x IVS per Channel
Object Classification	Human / Vehicle secondary recognition for Tripwire & Intrusion
AI Search	Search by Target classification (human / vehicle)

INTELLIGENT MOTION DETECTION +	
Performance	4 Channels
AI Search	Search by Target classification (human / vehicle)

FACE RECOGNITION	
Performance	2 Channels, Max 8 faces per second
Stranger Mode	Detect stranger's faces (not in database). Thresholds can be set manually.
AI Search	Up to 8 target face images at a time. Similarity thresholds can be set for each target face image.
Database Management	Up to 10 face databases with 20,000 face images in total. Set name, gender, birthday, address, certificate type, certificate number, countries & regions, and state.
Database Application	Each database can be applied to video channels independently.
Trigger Events	Buzzer, Voice Prompts, Email, Snapshot, Record, Alarm Out, PTZ activation, etc.

RECORDING	
Compression	AI Coding / H.265+ / H.265 / H.264+ / H.264
Resolution	4K, 6MP, 5MP, 4MP, 3MP, 4M-N, 1080P, 720P, 960H, D1, CIF

RECORDING CONT.	
Record Rate	Main stream: All channel 4K (1fps – 7fps); 6MP (1fps – 10fps); 5MP (1fps – 12fps); 4K-N, 4MP / 3MP (1fps – 15fps); 4M-N / 1080P / 720P / 960H / D1 / CIF (1fps – 25 / 30fps); Sub stream: 960H (1fps – 15fps); D1 / CIF (1fps – 25 / 30fps)
Bit Rate	32Kbps – 6144Kbps Per Channel
Record Mode	Manual, Schedule (General, Continuous), MD (Video detection: Motion Detection, Video Loss, Tampering), Alarm, Stop
Record Interval	1 – 60 min (default: 60 min), Pre-record: 1 sec – 30 sec, Post-record: 10 sec – 300 sec
Audio Compression	G.711A, G.711U, PCM
Audio Sample Rate	8KHz, 16 bit Per Channel
Audio Bit Rate	64Kbps Per Channel

DISPLAY	
Interface	1 HDMI, 1 VGA
Resolution	HDMI: 3840 × 2160, 2560 × 1440, 1920 × 1080, 1280 × 1024, 1280 × 720 VGA: 1920 × 1080, 1280 × 1024, 1280 × 720
Multi-Screen Display	When IP extension mode not enabled: 1 / 4 When IP extension enabled: 1 / 4 / 8 / 9
OSD	Camera Title, Time, Video Loss, Camera Lock, Motion Detection, Recording

NETWORK	
Interface	1 x RJ-45 Port (100M)
Network Function	HTTP, HTTPS, TCP / IP, IPv4 / IPv6, Wi-Fi, 3G / 4G, SNMP, UPnP, RTSP, UDP, SMTP, NTP, DHCP, DNS, IP Filter, PPPoE, DDNS, FTP, Alarm Server, P2P, IP Search (Supports
Max. User Access	128 users
Smart Phone	iPhone, iPad, Android
Interoperability	ONVIF 16.12, CGI Conformant

HDVR44K-Q1A1

4 Channel 5-Way 4K 1U DVR with Analytics



PRODUCT SPECIFICATIONS

VIDEO AND AUDIO	
Analog Camera Input	4 Channel, BNC
HDCVI Camera	4K, 6MP, 5MP, 4MP, 1080P @ 25 / 30fps, 720P @ 50 / 60fps, 720P @ 25 / 30fps
AHD Camera	4K, 5MP, 4MP, 3MP, 1080 P @ 25 / 30, 720P @ 25 / 30fps
TVI Camera	4K, 5MP, 4MP, 3MP, 1080P @ 25 / 30, 720P @ 25 / 30fps
CVBS Camera	PAL / NTSC
IP Camera Input	4+4 Channel, each channel up to 8MP
Audio In/Out	1/1, RCA
Two-way Talk	Reuse audio in/out, RCA

STORAGE	
Internal HDD	1 SATA Ports, up to 10TB capacity
eSATA	N/A

VIDEO DETECTION AND ALARM	
Trigger Events	Recording, PTZ, Tour, Video Push, Email, FTP, Snapshot, Buzzer and Screen Tips
Video Detection	Motion Detection, MD Zones: 396 (22 x 18), Video Loss, Tampering and Diagnosis
Alarm Input	N/A
Relay Output	N/A

PLAYBACK AND BACKUP	
Playback	1 / 4
Search Mode	Time / Date, Alarm, MD and Exact Search (accurate to second)
Playback Function	Play, Pause, Stop, Rewind, Fast play, Slow Play, Next File, Previous File, Next Camera, Previous Camera, Full Screen, Repeat, Shuffle, Backup Selection, Digital Zoom
Backup Mode	USB Device / Network

AUXILIARY INTERFACE	
USB	2 USB Ports (2 x USB 2.0)
RS232	N/A
RS485	1 Port, for PTZ Control

GENERAL	
Power Supply	DC12V / 2A
Power Consumption	<7W (Without HDD)
Dimensions	1U, 10.24" x 9.34" x 1.87"
New Weight	2.5 lb (without HDD)
Gross Weight	3.3 lb
Installation	Desktop
Operating Conditions	14°F to +131°F, 0-90% RH
Storage Conditions	-4°F to +158°F, 0-90% RH

* The addition of IP cameras will eliminate the advanced analytic abilities on the recorder.

ADDITIONAL PRODUCTS



OPTIVIEW VMX
Remote Monitoring



SURVEILLANCE DRIVES
4TB / 8TB / 10TB



HDCC4K-28A
4K HD-CVI Wide Angle
Armor Ball w/ Audio



HDCB5ML-VMA
5MP Motorized Varifocal
HD Bullet Camera w/ Mic



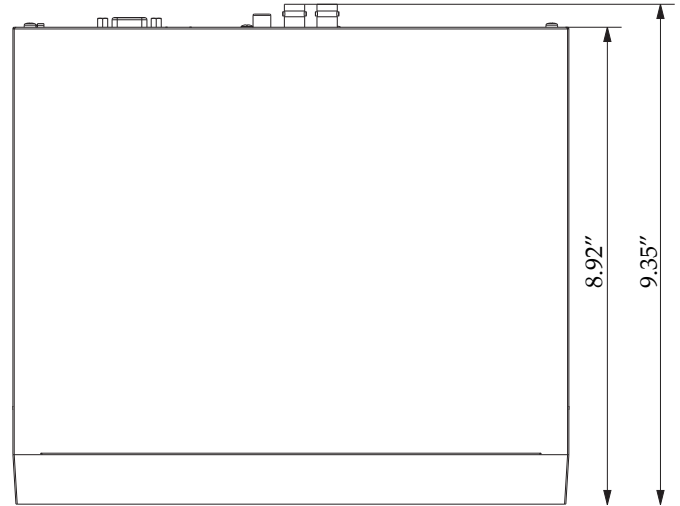
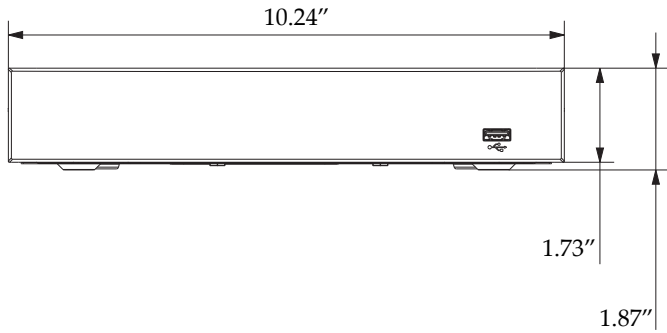
HDPTZ4M-30S
4MP HD-over-Coax PTZ
Camera with 30X Zoom

HDVR44K-Q1A1

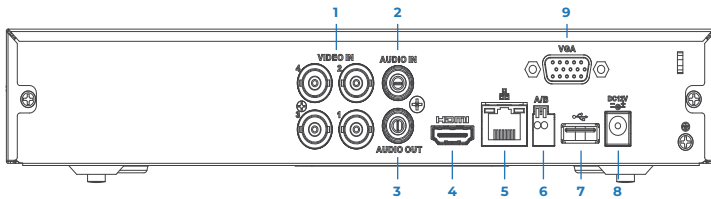
4 Channel 5-Way 4K 1U DVR with Analytics



DIMENSIONS



REAR PANEL



- 1. VIDEO IN
- 2. AUDIO IN, RCA Connector
- 3. AUDIO OUT, RCA Connector
- 4. HDMI Port
- 5. Network Port
- 6. RS485 Port
- 7. USB Port
- 8. DC 12V Power Input
- 9. VGA Port